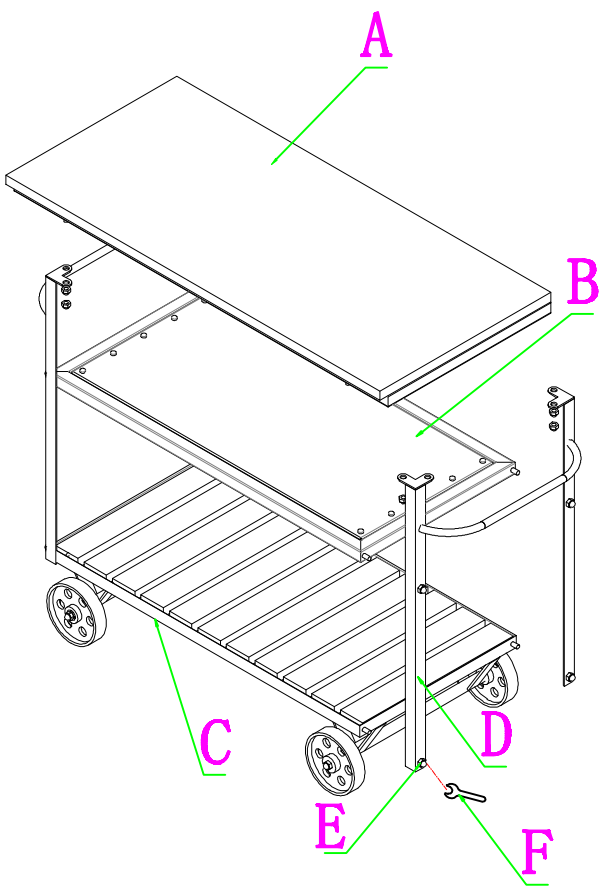


Ax1	Bx1	Cx1	Dx2	Ex16	Fx1



Ax1	Bx1	Cx1	Dx2	Ex16	Fx1